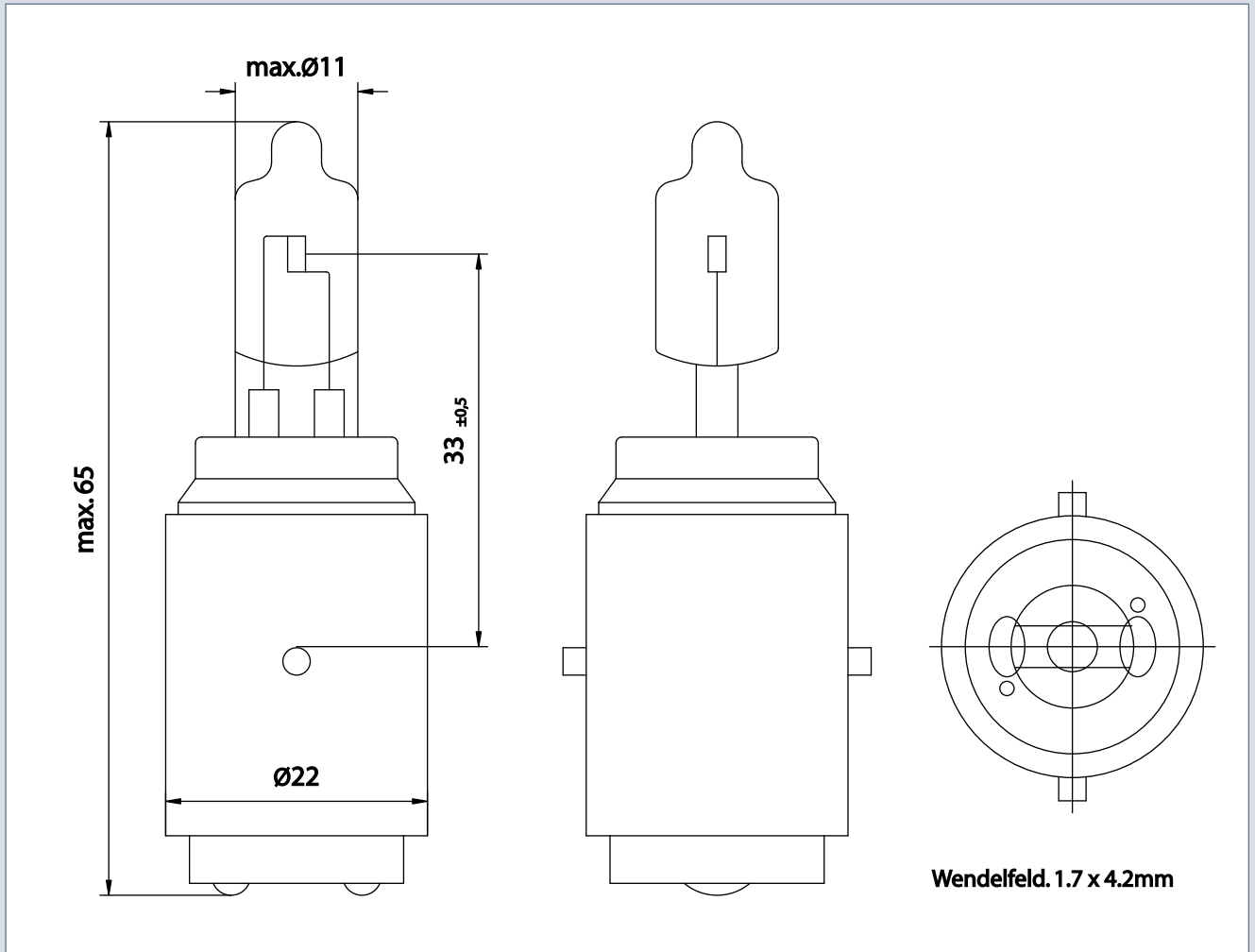


# INDUSTRIAL SPECIALTY LIGHTING

## Industrial medical - Datasheet



### MEDICAL LAMPS - 24V 50W Bx22D DR. FISCHER HALOGEN UPGRADE H016678

<b>PRODUCT NUMBER</b>	<b>302847049</b>	[ ]	Tol.
<b>VOLTAGE</b>	24	V	
<b>WATTAGE</b>	50	W	
<b>LUMEN OUTPUT</b>	1100	LM	
<b>LUMEN PRO WATT</b>	22	LM/W	
<b>AVERAGE LIFE</b>	700	H	
<b>BASE</b>	Bx22D	/	
<b>REMARKS</b>	H016678 HALOGEN		
<b>BRAND</b>	DR. FISCHER		



MEDICAL



ENTERTAINMENT



TRAFFIC



MARINE



RAILWAY



AIRFIELD



VARIOUS



TAILOR MADE



IR / UV



PROJECTION